



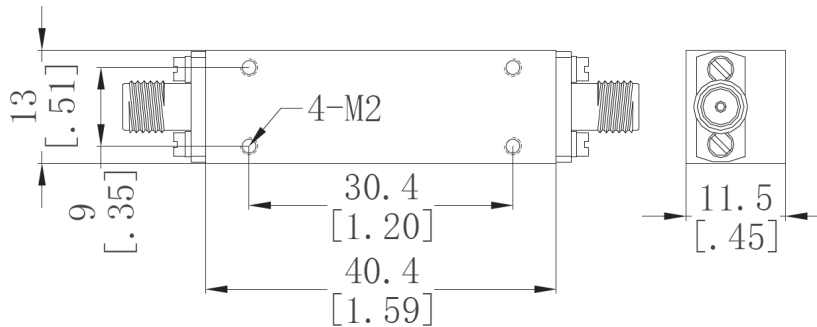
Model Number:
F-BPFX-7047

RF Components

IF-Band Bandpass Filter

116-164 MHz

Physical Dimensions ($\pm 0.3\text{mm}$)



Filter

RF Parameters	
F-BPFX-7047	S5S5
Frequency Range	116—164 MHz
RF Connectors	50Ω SMA Female
Insertion Loss (dB)	$\leq 3.5\text{dB}$
VSWR (dB) Max	1.8:1
Rejection	$\geq 30\text{dB}@140\pm 35\text{ MHz}$ $\geq 40\text{ dB}@140\pm 37\text{ MHz}$ $\geq 50\text{ dB}@100\text{ MHz} \& 200\text{ MHz} -2500\text{ MHz}$
Max RF Power	1 W

Environmental	
Operating Temperature	-40°C to +70°C
Storage Temperature	-55°C to +85°C
Location	For Indoor use

Broadcast



Marine Oil & Gas



SNG & VSAT



Satellite Teleport

